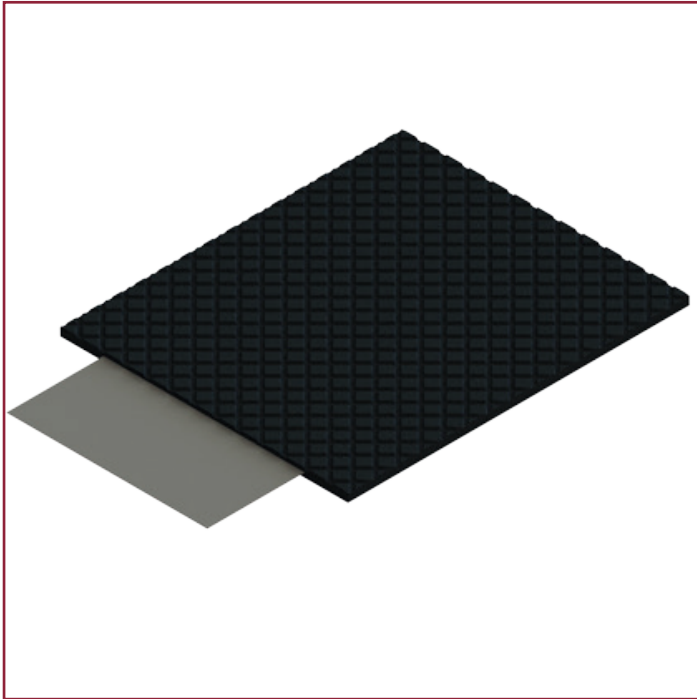


RAIL UNDERLAY MATERIAL



STARKON's rail underlay materials are designed for long life, and only high-quality standard raw material is used during production.

Specifications

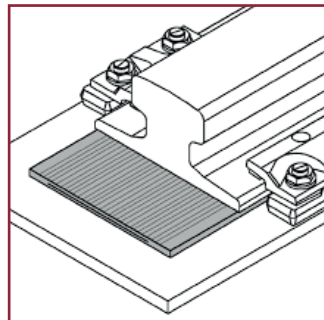
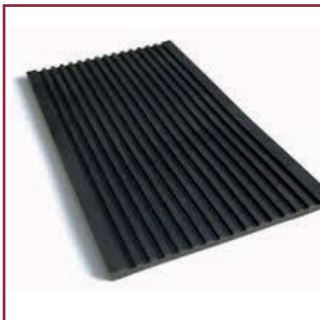
- Upon request

Certification

- Material certificates

Calculations

- All STARKON supplied underlay materials are designed for long life.



STARKON QUALITY STANDARDS

Certifications

We provide an annual inspection of our rental fleet at least every three months and after each job. It includes inspection of wall thickness, and inspection for deformation, weld failure or other deviations. The scope of the inspection will depend on the type of product.

Inspections

All our products are provided with CE certification according to European Standards. If required, we can meet standards other than NEN standards, such as ISO or DNV approved standards.

<https://starkon.nl/product/rail-underlay-material>

STARKON BV

Nijverheidsweg 22 | 3251 LP Stellendam | The Netherlands | +31 (0)187 665 122 | info@starkon.nl | www.starkon.nl