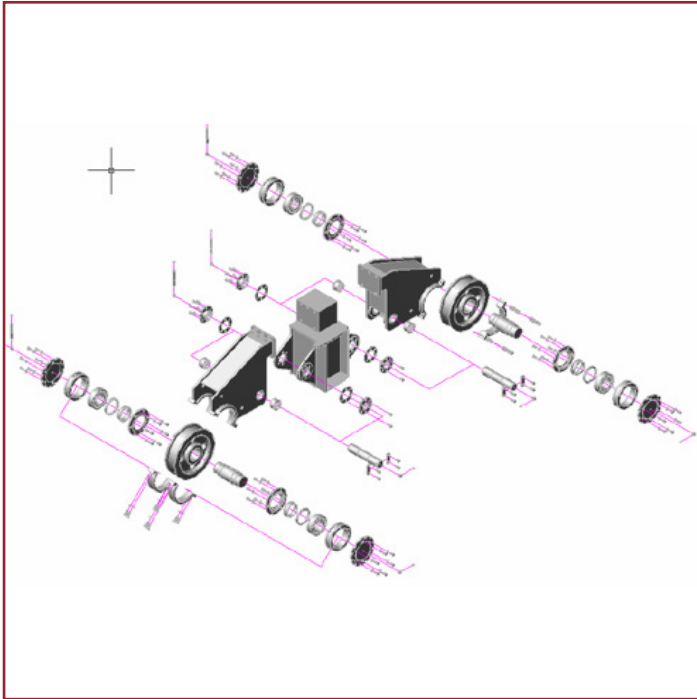


STS CRANE TROLLEY TRUCK BUFFERS



STARKON produces and delivers ZPMC type trolley truck buffers. We deliver OEM types and improved STARKON-type buffers. Production and raw materials all supplied from the Netherlands and Europe. STARKON's trolley truck buffers are designed for long life, and only high-quality standard raw material is used during production.

Specifications

- Dimensions 306 x 245 x 255 (standard)
- 50N / mm²

Certification

- It is supplied with the CE Declaration of conformity

Optional

- Fatigue intensity on request
- Custom heights and lengths

Calculations

- All trolley truck buffers are designed for long life and have a safety factor of 4 compared to the nominal workload
- We can supply rubber buffers with a higher working load limit on request

STARKON QUALITY STANDARDS

Certifications

We provide an annual inspection of our rental fleet at least every three months and after each job. It includes inspection of wall thickness, and inspection for deformation, weld failure or other deviations. The scope of the inspection will depend on the type of product.

Inspections

All our products are provided with CE certification according to European Standards. If required, we can meet standards other than NEN standards, such as ISO or DNV approved standards.

<https://starkon.nl/product/sts-crane-trolley-truck-buffers>

STARKON BV

Nijverheidsweg 22 | 3251 LP Stellendam | The Netherlands | +31 (0)187 665 122 | info@starkon.nl | www.starkon.nl