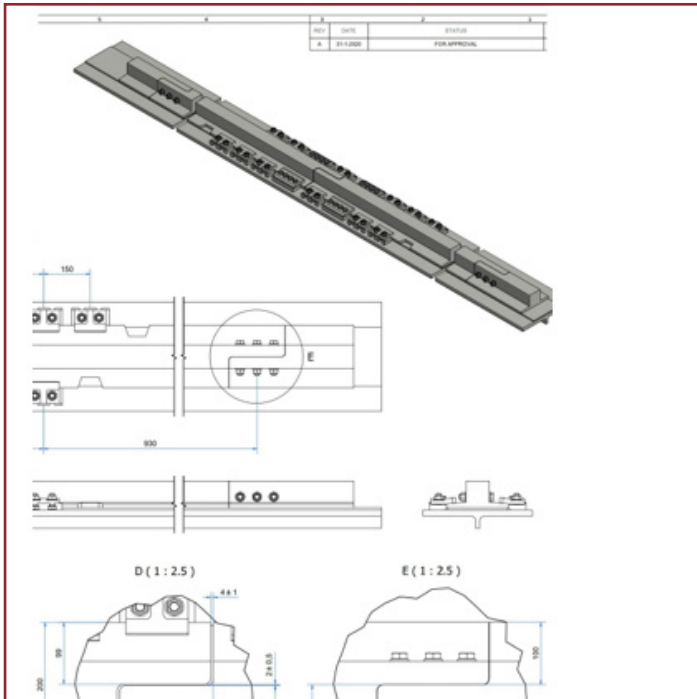


STS CRANE SHORTRAIL & RAIL



STARKON's shorttrails are designed for long life, and only high-quality standard raw material is used during production. We can offer standard specifications AAS OEM requirements and also improved shorttrails. MADE in the EU.

Specifications

- Upon request

Certification

- Material certificates

Optional

- New design modified to be replaceable without welding

Calculations

- All STARKON's supplied shorttrails are designed for a long lifetime



STARKON QUALITY STANDARDS

Certifications

We provide an annual inspection of our rental fleet at least every three months and after each job. It includes inspection of wall thickness, and inspection for deformation, weld failure or other deviations. The scope of the inspection will depend on the type of product.

Inspections

All our products are provided with CE certification according to European Standards. If required, we can meet standards other than NEN standards, such as ISO or DNV approved standards.

<https://starkon.nl/product/sts-crane-shortrail-rail>

STARKON BV

Nijverheidsweg 22 | 3251 LP Stellendam | The Netherlands | +31 (0)187 665 122 | info@starkon.nl | www.starkon.nl