

2018

REPAIRS

# CRANE OPERATOR CABIN VIBRATIONS

STARKON SOLVES VIBRATIONS BY APPLYING A DIGITAL TWIN

## THE CHALLENGE

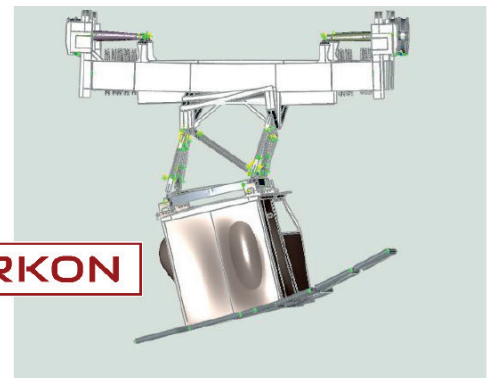
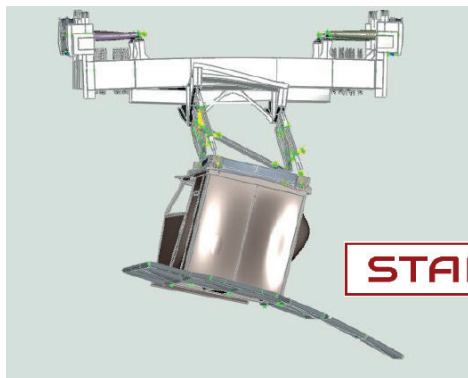
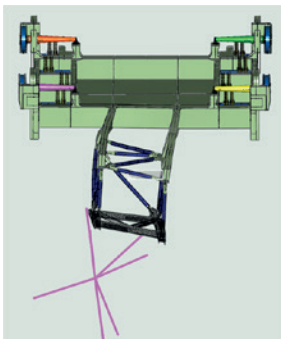
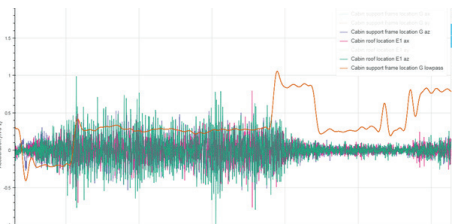
After performing a whole-body measurement campaign, it was confirmed the vibrations were too high according to the standards applied for operators.

## THE SOLUTION

Finding the root cause was the key to solving the issue. To find the root cause and implement a solution, STARKON, together with an engineering company, used a digital twin of the complete crane structure. After several tests on the digital twin, the solution was found and implemented on the crane trolley structure.

## THE RESULT

In the end, adding only 1500 kg of steel components solved the issue completely. This resulted in a comfortable work environment for the operators.



<https://starkon.nl/project/crane-operator-cabin-vibrations>

## STARKON BV

Nijverheidsweg 22 | 3251 LP Stellendam | The Netherlands | +31 (0)187 665 122 | [info@starkon.nl](mailto:info@starkon.nl) | [www.starkon.nl](http://www.starkon.nl)